

English



Q90D™

Digital Combination TTY / VCO
with Text Answering Machine



Operating Instructions

Ameriphone products are manufactured by
Clarity®, a Division of Plantronics, Inc.

© 2004 Plantronics, Inc.

79040.000

Δ 2/04

Important Safety Instructions

When using your text telephone equipment, basic safety precautions should always be followed to reduce the risk of fire, electric shock and persons including the following:

1. Read and understand all instructions.
2. Follow all warnings and instructions marked on the text telephone.
3. Do not use this telephone near a bathtub, wash basin, kitchen sink or laundry tub, in a wet basement, near a swimming pool or anywhere else where there is water.
4. Avoid using a text telephone during a storm. There may be a remote risk of electrical shock from lightning.
5. Do not use the text telephone to report a gas leak in the vicinity of the leak.
6. Unplug this text telephone from the wall outlets before cleaning. Do not use liquid cleaners or aerosol cleaners on the text telephone. Use a damp cloth for cleaning.
7. Place this text telephone on a stable surface. Serious damage and/or injury may result if the text telephone falls.
8. Do not cover the slots and openings on this text telephone. This text telephone should never be placed near or over a radiator or heat register. This text telephone should not be placed in a built-in installation unless proper ventilation is provided.
9. Operate this text telephone using the electrical voltage as stated on the base unit or the owner's manual. If you are not sure of the voltage in your home, consult your dealer or local power company.
10. Do not place anything on the power cord. Install the text telephone where no one will step or trip on the cord.
11. Do not overload wall outlets or extension cords as this can increase the risk of fire or electrical shock.
12. Never push any objects through the slots in the text telephone. They can touch dangerous voltage points or short out parts that could result in a risk of fire or electrical shock. Never spill liquid of any kind on the text telephone.
13. To reduce the risk of electrical shock, do not take this text telephone apart. Opening or removing covers may expose you to dangerous voltages or other risks. Incorrect reassembly can cause electric shock when the appliance is subsequently used.
14. Unplug this product from the wall outlets and refer servicing to the manufacturer under the following conditions:
 - A. When the power supply cord or plug is frayed or damaged.
 - B. If liquid has been spilled into the product.
 - C. If the text telephone has been exposed to rain or water.

- D. If the text telephone does not operate normally by following the operating instructions. Adjust only those controls that are covered by the operating instructions. Improper adjustment may require extensive work by a qualified technician to restore the text telephone to normal operation.
 - E. If the text telephone has been dropped or the case has been damaged.
 - F. If the text telephone exhibits a distinct change in performance.
15. Never install text telephone wiring during a lightning storm.
 16. Never install telephone jacks in wet locations unless the jack is specifically designed for wet locations.
 17. Never touch uninsulated telephone wires or terminals unless the telephone line has been disconnected at the network interface.
 18. Use caution when installing or modifying telephone lines.
 19. Use only the power cord and batteries indicated in this manual. Do not dispose of batteries in a fire. They may explode. Check with local codes for possible special disposal instructions.

Save These Instructions

ADDITIONAL SAFETY NOTES FOR CANADIAN USERS

The following items are included as part of the CS-03 Requirements. The standard connecting arrangement for the equipment is CA11A. This product meets the applicable Industry Canada technical specifications.

NOTICE: The Canadian Department of Communications label identifies certified equipment. This certification means that the equipment meets certain telecommunications network protective operational and safety requirements. The Department does not guarantee that the equipment will operate to the user's satisfaction.

Before installing this equipment, users should ensure that it is permissible to be connected to the facilities of the local telecommunications company. The equipment must also be installed using an acceptable method of connection. In some cases, the company's inside wiring associated with a single line individual service may be extended by means of a certified connector assembly (telephone extension cord).

The customer should be aware that compliance with the above conditions may not prevent degradation of service in

Safety Instructions (continued)

some situations. Repairs to certified equipment should be made by an authorized Canadian maintenance facility designated by the supplier. Any repairs or alterations made by the user to this equipment, or equipment malfunctions, may give the telecommunications company cause to request the user disconnect the equipment.

Users should ensure for their own protection that the electrical ground connections of the power utility, telephone lines and internal metallic water pipe system, if present, are connected together. This precaution may be particularly important in rural areas.

CAUTION: Users should not attempt to make such connections themselves, but should contact the appropriate electric inspection authority, or electrician, as appropriate.

The Ringer Equivalent Number is an indication of the maximum number of terminals allowed to be connected to a telephone interface. The termination on an interface may consist of any combination of devices subject only to the requirement that the sum of the Ringer Equivalent Number of all the devices not exceed five.

Save These Instructions

Contents

Important Safety Instructions _____	ii	Troubleshooting _____	23
Additional Safety Notes for Canadian Users	iii	Caring for Your Q90D _____	24
For Your Information _____	2	TTY User's Etiquette _____	25
Warranty	2	Regulatory Compliance _____	26
Sales Receipt	2	Important FCC Information for Customers	26
Help from Ameriphone	2	Warranty Procedure _____	29
Package Checklist	2	Product Specifications _____	30
About Your Q90D _____	3		
Features _____	4		
Installing and Using Your Q90D _____	7		
Setting Up Your Q90D	7		
Placing TTY Calls	9		
Placing Voice Carry Over (VCO) or Hearing Carry Over (HCO) Calls ...	10		
Receiving Calls	11		
Placing a Call on Hold or Transferring a Call	12		
Printing a Conversation	12		
Primary Functions	14		
Secondary Functions	15		
Programming Your Q90D	18		
Answering Machine	19		
Menu Options	20		

For Your Information

Thank you for selecting the Q90D Digital Combination TTY / VCO with Text Answering Machine from Ameriphone. These operating instructions provide the information you need for safe, efficient use of the Q90D. Read this document thoroughly before using your TTY and keep it nearby for easy reference.

Warranty

Your TTY is designed to provide years of quality service. However, if there is a malfunction and the Troubleshooting recommendations on Page 23 do not resolve the problem, follow the Warranty procedure on Page 29.

Sales Receipt

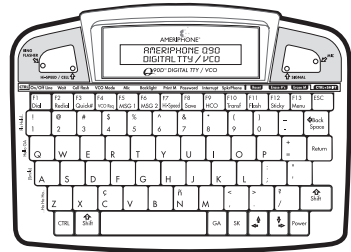
Save your sales receipt as proof of purchase date should you need warranty service.

Help from Ameriphone

For help with using your Q90D, call our Customer Service Department at 800-772-2889 TTY or 800-874-3005 voice.

Package Checklist

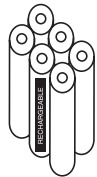
Please make sure that your package includes the items shown in the following illustration.



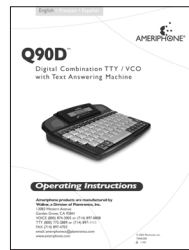
Q90D Digital TTY/VCO



Telephone Cord



Rechargeable Batteries



Operating Instructions



AC Adapter



Cell Cord



Quick Guide

Package Components

About Your New Q90D

The Q90D is designed to let people who are Deaf, Hard-of-Hearing or Speech Impaired communicate via cell phone or anywhere there is a land line:

- By allowing two TTY users to type messages back and forth instead of talking and listening
- By allowing a TTY user to communicate with a non-TTY user (using a Relay Service)
- As a Voice Carry Over (VCO) phone for people who can speak, but cannot hear, and wish to use their voice to communicate. They can see the text of an incoming response displayed with the help of a Relay Service.
- In Hearing Carry Over (HCO) mode which allows the user to hear the incoming conversation through an accessory speaker or headset and to type the outgoing conversation

The Q90D has been custom-engineered with an unprecedented array of features to provide years of convenience and assistance. It is stylish, lightweight, portable, fully-featured, and yet, easy to use.

- The Q90D works with the TSB-121 compatible digital cell phones for communication any time, anywhere. It may also be used with many cordless phones.
- It has a bright visual ring flasher which announces incoming calls, including cellular or mobile phone calls.
- The 68-key PC style keyboard uses one-touch buttons for typing and commonly used phrases.
- It contains a text answering machine with two pre-programmed personalized greetings and remote message retrieval for easy use.

The Q90D has many other features and functions and they are explained in the following pages.

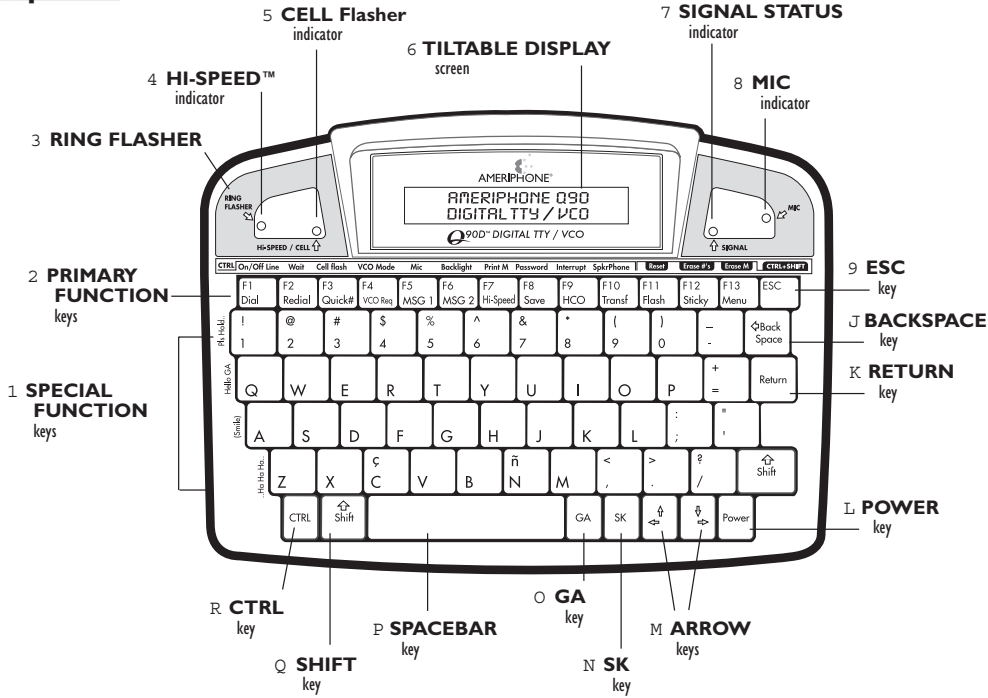
We hope you enjoy using your new Q90D and that you are pleased with the added capability and independence it makes possible for you.

We sincerely thank you for your support of Ameriphone products.

Features

The Q90D offers an amazing number of features for your use. It utilizes “shortcut” keys to ensure there is no need to memorize a wide variety of keystrokes and Menu selections to use your Q90D. The shortcut keys are illustrated on the product itself, as well as the image below.

Top Side

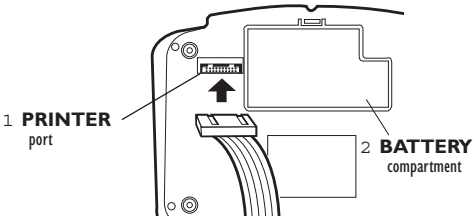


Right Side



1 LOCK

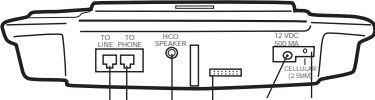
Bottom Side



1 PRINTER port

2 BATTERY compartment

Back Side



1 TO LINE jack

2 TO PHONE jack

4 CONNECTOR

5 12VDC 500 MA jack

6 CELLULAR (2.5MM) jack

3 HCO SPEAKER jack

Features

The following controls and indicators are located on the top, right, back or bottom sides of your Q90D.

Top Side:

- 1 **Special Function Keys.** The I, Q, A, and Z keys are used for special functions. Each of these keys, when used in combination with other keys, sends a message as shown on the face of the Q90D to the left of these keys, such as “Hello GA”.
- 2 **Primary Function Keys.** The Primary Function keys activate the primary functions such as dialing, redialing, and sending messages. Keys F1 through F13, are described in the Primary Function section of this guide on Page 14.
- 3 **Ring Flasher.** Both red and white incandescent lights flash when the Q90D receives incoming calls. Only the red light flashes when the Q90D is powered by batteries.
- 4 **HI-SPEED™ Indicator.** Hi-Speed transmission is used when communicating with another Ameriphone TTY that has this capability. If both TTYs have Hi-Speed capability and are in Hi-Speed mode, the red Hi-Speed indicator light turns on and your call proceeds at the higher rate. If not, the Q90D automatically uses the normal transmission speed.
- 5 **Cell Flasher Indicator.** This red light flashes to announce incoming calls when the Q90D is on STANDBY mode and attached to a cellular or mobile telephone.
- 6 **Tiltable Display Screen.** The screen displays stored information and the current status of calls (e.g., ringing, busy, etc.) and conversation.
- 7 **Signal Status Indicator.** This red light indicates that there is some activity on the telephone line such as speech, TTY or some type of sound.
- 8 **MIC Indicator.** This green indicator light is on when the VCO microphone is active.
- 9 **ESC Key.** The key is used to exit Dial, Save and Review modes. It does not cause the Q90D to hang up if you are online.
- J **Backspace Key.** This key lets you erase mistakes after typing them.
- K **Return Key.** Use the Return key during setup and when creating messages to save them in memory.
- L **Power Key.** This key turns the Q90D ON. To turn OFF the Q90D, press the CTRL and Power keys at the same time.
- M **Arrow Keys.** When in Dial mode, the Arrow keys allow you to scroll up or down the listings in your Q90D telephone directory. When not in Dial mode, the left Arrow key takes you into Review mode and allows you to scroll up or down with the right Arrow key to view a conversation. You can also use the Arrow keys to play back messages stored on the built-in Answering Machine and saved conversations.
- N **SK Key.** This key functions online only. When pressed, it sends the SK (“Stop Keying”) message, letting the other party know you are ready to end the conversation. Press the SK key twice (SKSK) as your last “goodbye” before hanging up.
- O **GA Key.** This key sends the GA (“Go Ahead”) message letting the other party know you are finished typing and ready for a response.

Features

- P **Spacebar Key.** In addition to using this key for space between words, it is used to turn features ON and OFF when setting up your Q90D.
- Q **Shift Key.** The Shift key, when used with certain Function keys, causes the Q90D to perform the Secondary Functions listed on Page 15.
- R **CTRL Key.** The CTRL key, when used in combination with certain Function keys, causes the Q90D to perform the Secondary Functions listed on Page 15.
- 5 **12VDC 500 MA Jack.** This jack is for the adapter that provides electric power to your phone.
- 6 **CELLULAR (2.5mm) Jack.** This jack is used for connecting your Q90D to a cellular or mobile phone.

Bottom Side:

- 1 **PRINTER PORT.** A printer cable can be attached to the printer port, which is located on the bottom side of the Q90D.
- 2 **Battery Compartment.** This compartment stores six (6) NiCAD batteries. It is located on the bottom side of the Q90D.

Right Side:

- 1 **LOCK.** This safety feature is located on the right side of the Q90D. LOCK ON prevents the Q90D from accidentally turning ON and draining the batteries. Keep this in the ON position anytime you move the Q90D from one location to another. Slide the lever to LOCK OFF before using your Q90D because it will only operate in this position.

Back Side:

- 1 **TO LINE Jack.** This jack is used to connect directly to the phone line.
- 2 **TO PHONE Jack.** This jack is used to connect to a standard or amplified telephone.
- 3 **HCO SPEAKER Jack.** This 3.5mm jack is used when connecting speakers to the Q90D.
- 4 **Connector.** This connector is used by the factory to connect the Q90D to the Ameriphone Acoustic Coupler (Q90DA Combo) or Ameriphone Amplified Handset (Q90DU Combo).

Installing and Using Your Q90D

Setting Up Your Q90D

There are four (4) steps involved in setting up your Q90D so it is ready to use.

1. Installing the batteries
2. Power and phone line connection
3. Telephone connection
4. LOCK switch

Installing the Batteries

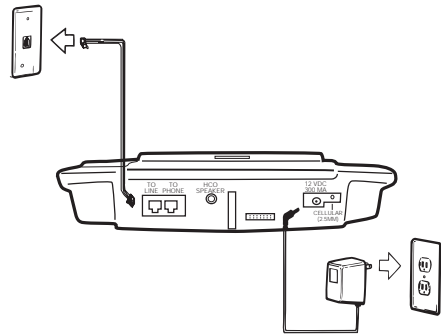
To install new batteries:

1. Slide open the battery compartment cover on the bottom of the Q90D.
2. Install new (6) NiCAD AA batteries. Be sure to observe the polarity as imprinted on the base of the compartment.
3. Slide the battery compartment cover back into place.

Power and Phone Line Connection

1. Plug the adapter into the adapter jack labeled 12VDC 500MA at the back of the Q90D.
2. Plug the adapter into your wall outlet.
3. Connect one end of the phone cord into the back of the Q90D marked TO LINE.
4. Connect the other end of the phone cord to the telephone wall jack.

Note: The adapter provides power to operate the Q90D while simultaneously charging the rechargeable batteries in the battery compartment. You should only use the adapter supplied with your Q90D. When the Q90D is not in use, turn the Power OFF, but keep the adapter plugged in.



Power and Phone Line Connection

Telephone Connection

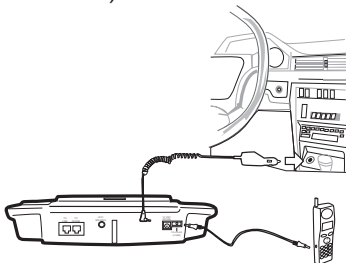
There are two (2) ways to connect your Q90D to make a TTY call.

1. Direct telephone line connection
 - A. Connect one end of the telephone cord into the jack at the back of the Q90D marked TO LINE.
 - B. Connect the other end of the telephone cord to the telephone wall jack.
2. Digital cellular and cordless telephone connection
 - A. Connect one end of the cordless phone or digital cell phone cord into the jack at the back of the Q90D marked CELLULAR (2.5mm).
 - B. Connect the other end of the cord to the cordless phone or digital cell phone.

Note: Cell phones and cordless phones need a 2.5mm plug (commonly used for headphones) or a compatible adapter to work with your Q90D.

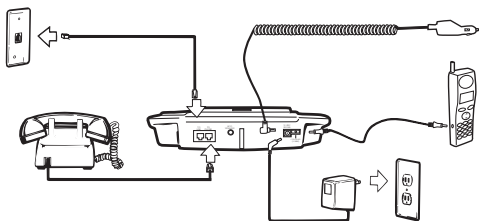
Installing and Using Your Q90D

An optional car cigarette lighter adapter, available from Ameriphone, can provide power to operate the Q90D with a cell phone while automatically charging the Q90D batteries (as shown below).



A standard or amplified telephone can be connected to the Q90D for household members who do not use a TTY.

1. Connect one end of the telephone cord into the jack at the back of the Q90D marked TO PHONE.
2. Connect the other end of the telephone cord into an external telephone (as shown below)



Telephone Connections

The Q90D can share a telephone wall jack with a standard or amplified telephone (or an external flashing device for telephone notification) by using a modular duplex jack. This is especially useful for household members who do not use a TTY.

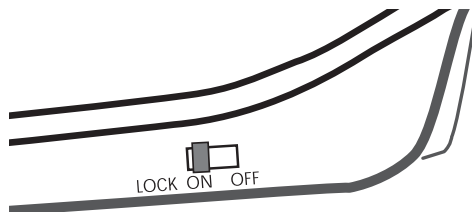
The Q90D can also be used with pay phones that have a data port.

1. Plug one end of the phone cord into the TO LINE jack on the Q90D.
2. Plug the other end of the phone cord into the data port on the pay phone.

Lock Switch

The Q90D has a LOCK switch, which is located on the right side of the unit below the ESC key. The LOCK switch has two positions:

1. LOCK ON position prevents the Q90D from being accidentally turned ON and draining the battery. We strongly advise you to move the switch to the ON position any time you move the unit from one location to another. It is important to note that the Q90D will not function while the LOCK is in the ON position.
2. LOCK OFF position is used to turn the Q90D ON, to use it or program it.



Installing and Using Your Q90D

Placing TTY Calls

Once the Q90D is in the LOCK OFF position, there are three (3) ways you can make a TTY call.

1. Dialing manually from the Q90D keyboard
2. Dialing automatically from the Q90D phone directory
3. Dialing from a digital cellular or cordless telephone



Dialing Manually from the Q90D Keyboard

1. Press the Power key to turn ON the Q90D. The opening screen reads AMERIPHONE Q90D DIGITAL TTY/VCO. If no other Function keys are pressed for two (2) seconds, the display changes to OFF LINE.
2. Press F1 and type the phone number. As you type the number, the screen reads PRESS RETURN TO DIAL.
3. If you make a mistake while typing, press Backspace to delete one space at a time. To abort an entire sequence, press ESC.
4. The message DIALING ENTERED NUMBER 1234567 is displayed on the screen.
5. If the line is not busy, SILENCE!!!! and RINGING will be displayed alternately while it is ringing.
6. If the other party answers by TTY, the SIGNAL light brightens and a greeting message is displayed on the screen. If the other party answers by voice, the SIGNAL light flickers. If Auto ID is on, the Q90D sends Baudot tones to tell the person you are calling that this is a TTY call.
7. If the line is busy, BUSY SIGNAL!!!! is

displayed and the red SIGNAL light (located above the F12 key) flashes quickly. Hold down CTRL and F1 to hang up which also causes the SIGNAL light to stop flashing. Try dialing again.

8. After the conversation is over, hold down CTRL and press Power to turn OFF the Q90D. To hang up and make another call, hold down CTRL and press F1.
9. Slide the LOCK to the ON position if moving the Q90D from one location to another.

Dialing Automatically from the Q90D Phone Directory

1. To DIAL in this mode, you must first have names and telephone numbers stored in the directory. See Page 18 for an explanation of how to enter phone numbers into the directory.
2. Press the Power key to turn ON the Q90D.
3. Press F1 to enter DIAL mode and the following message is displayed on the screen, ENTER NAME OR NUMBER OR SELECT DIRECTORY WITH  .
4. Type the name of the person you are calling, then press Return to enter your selection or press one of the Arrow keys to the left of the Power button until the desired name appears.
5. Then press Return to dial the directory number.
6. If the line is not busy, SILENCE!!!! and RINGING will be displayed alternately.

Installing and Using Your Q90D

7. If the other party answers by TTY, the SIGNAL light brightens and a greeting message is displayed on the screen. If the other party answers by voice, the SIGNAL light flickers. If Auto ID is ON, the Q90D sends Baudot tones to tell the person you are calling that this is a TTY call.
 8. If the line is busy, BUSY SIGNAL!!!! is displayed and the red SIGNAL light (located above the F12 key) flashes quickly. Hold down CTRL and F1 to hang up which also causes the SIGNAL light to stop flashing. Try dialing again.
 9. After the conversation is over, hold down CTRL and press Power to turn OFF the Q90D. To hang up and make another call, hold down CTRL and press F1.
 10. Slide the LOCK to the ON position if moving the Q90D from one location to another.
- quickly. Hold down CTRL and F1 to hang up which also causes the SIGNAL light to stop flashing. Try dialing again.
 6. After the conversation is over, hold down CTRL and press POWER to turn OFF the Q90D and turn off your cellular or cordless phone.
 7. Slide the LOCK to the ON position if moving the Q90D from one location to another.

Dialing from a Digital Cellular or Cordless Telephone

1. Press Power to turn ON the Q90D.
2. Dial the telephone number using the cellular or cordless telephone.
3. If the line is not busy, SILENCE!!!! and RINGING will be displayed alternately.
4. If the other party answers by TTY, the SIGNAL light brightens and a greeting message is displayed on the screen. If the other party answers by voice, the SIGNAL light flickers. If Auto ID is ON, the Q90D sends Baudot tones to tell the person you are calling that this is a TTY call.
5. If the line is busy, BUSY SIGNAL!!!! is displayed and the red SIGNAL light (located above the F12 key) flashes

Placing VCO or HCO Calls

You can also make Voice Carry Over (VCO) or Hearing Carry Over (HCO) calls with your Q90D.

Voice Carry Over (VCO) Calls (Factory setting is OFF.)

Voice Carry Over (VCO) is for people who can speak, but have difficulty hearing. These calls are made through a Relay Service with the help of a Relay Service Communications Assistant (CA). This feature allows the outgoing conversation to be voiced, while providing a text display of the incoming response.

Since the VCO mode is not automatically set in the ON position, you must turn it ON for each VCO conversation. When the VCO mode is ON, the built-in microphone automatically switches to ON so you can speak into it when the other party sends you the GA message. If the microphone does not turn ON automatically, hold down CTRL and press F5 to turn it ON manually.

Installing and Using Your Q90D

1. Press Power to turn ON the Q90D.
2. Use the Q90D to DIAL your Relay Service phone number.
3. After your call is answered, press F4 and the Q90D automatically sends the text requesting VCO Relay Service, VCO CALL PLS GA.
4. When the Relay Service responds and sends the GA message, the green Microphone indicator lights up. You may now voice your response.
5. When you want the other party to respond, you can send the GA message.
6. The Q90D Microphone turns off automatically when the Relay Service sends a text message to you. If the Microphone does not turn OFF automatically, press ESC to turn it OFF manually.
7. When you are finished with the conversation, hold down CTRL and press Power to turn OFF the Q90D or CTRL and F1 to hang up.

Hearing Carry Over (HCO) Calls

(Factory setting is ON.)

Hearing Carry Over (HCO) is for people who can hear, but have difficulty speaking. These calls are made through a Relay Service with the help of a Relay Service Communications Assistant. You type the outgoing conversation, but you can hear the response through an optional accessory speaker or headset.

When the HCO function is turned ON, it automatically cancels the VCO function. Unlike the VCO mode, HCO is automatically reinstated the next time your Q90D is on-line.

To use the HCO function you must have a

stereo headset or amplified speaker plugged into the HCO output jack. It is best if all accessories are installed when the Q90D is OFF.

1. Press Power to turn the Q90D ON.
2. Press F9 to turn the HCO function ON or OFF. The Q90D automatically mutes the audio while you type. When you stop typing, the audio resumes and you can hear incoming sounds again.
3. When finished, hold down CTRL and press Power to turn OFF the Q90D or CTRL and F1 to hang up.

Receiving Calls

There are three (3) ways to receive a call.

Receiving Calls Using a Standard Analog Telephone Line

1. When there is an incoming call, the built-in RING FLASHER flashes.
2. Press the Spacebar to answer. When you answer, the Q90D displays the message, ON LINE READY!
3. Begin typing a greeting message or just hold down CTRL and press Q to send the preset message, HELLO, GA (Go Ahead).
4. After the conversation is finished, hold down CTRL and press F1 to hang up and make another call. To turn the Q90D OFF, hold down CTRL and press Power.

Receiving Calls Using a Digital Cellular or Cordless Telephone When Your Cell Phone or Cordless Phone is Not Already Connected to the Q90D

1. When you know that a call is coming in, connect your cell phone or cordless phone to the Q90D with a connecting cord.

Installing and Using Your Q90D

2. Turn on your cell phone or cordless phone.
3. Press Power to turn on your Q90D.
4. Type your response.
5. When you are finished with the conversation, turn OFF the cellular or cordless telephone.
6. Turn OFF the Q90D by holding down CTRL and pressing Power or CTRL and F1 to hang up.
6. When you are finished with your conversation, turn off the cellular or cordless telephone.
7. Hold down CTRL and press F3 to return to cell phone Standby mode or turn OFF the Q90D by holding down CTRL and pressing Power.

Receiving Calls in Cell Phone Standby Mode When Your Cell Phone or Cordless Phone is Already Connected to the Q90D

1. If you want CELL FLASH function to flash on incoming cellular calls, set your Q90D to Cell Phone Standby mode.
2. Plug the cellular telephone or cordless phone into the Q90D, then hold down CTRL and press F3. The display reads, CELL PHONE STANDBY MODE.
3. Leave the Q90D in Standby mode until a call comes in. When you receive a call, the CELL FLASHER light flashes in red and the Standby message turns off. Touching a key will also turn OFF the Standby message.
 - A. Some cellular and cordless telephones are designed so that the Q90D CELL FLASHER does not flash when a call comes in.
 - B. If your telephone functions like this, watch the display on your telephone to see if a call is coming in.
4. When the CELL FLASHER light flashes, turn ON your cellular or cordless telephone.
5. Press the Spacebar and start typing.

Placing a Call on Hold and Transferring a Call

This feature can be used when you temporarily leave the conversation. In addition to letting another party know he/she is on hold, it turns off the Microphone.

1. Press F10 to send the message, PLS HOLD. Your Q90D sends the message and then displays, HOLD MODE [ON] PRESS ANY KEY TO RELEASE.
2. Turn on another TTY on the same telephone line. Using the second TTY, press the Return key three times and the Q90D automatically hangs up and turns OFF. If your other TTY does not have a Return key, press Enter three times instead. You can then continue your call on the other TTY.

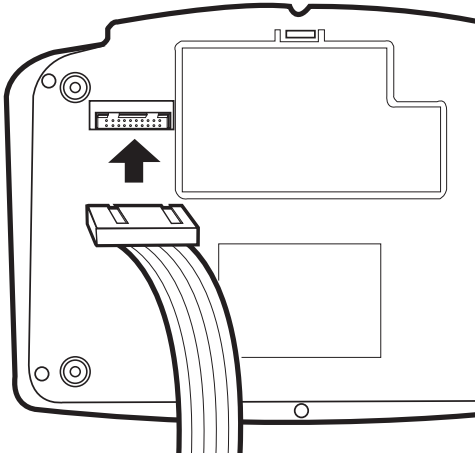
Printing a Conversation

You can print a conversation from your Q90D using the Ameriphone Portable Printer. The Q90D checks for the presence of a printer before the Q90D is turned ON.

Connecting the Printer

1. Make sure the Q90D and the Printer are OFF. If needed, hold down CTRL and press Power to turn OFF the Q90D.

Installing and Using Your Q90D



2. To print, hold down CTRL and press F7 and the Q90D automatically prints everything stored in conversation memory.
3. To stop printing, press the ESC key.

2. Connect one end of the Printer cable to the Printer port on the bottom of the Q90D.
3. Connect the other end of the printer cable to the Printer.
4. To use the Printer, plug in the adapter, turn the switch ON (left side of Printer) and press the Printer button to ON LINE (top side of Printer).

Printing a Conversation

1. To print during the conversation, press the ON / OFF LINE button on the Printer and the red indicator light will be illuminated.
2. To turn the Printer OFF, press the ON / OFF LINE button again and the red indicator light will go OFF.

Printing a Conversation Stored in Conversation Memory

1. After you finish a conversation, hold down CTRL and press the F1 key to hang up.

Functions

Primary Functions

You may easily activate the Q90D's Primary Functions by simply selecting and pressing any one of its function buttons, ranging from F1 - F13. The following chart describes how the Q90D will respond when a particular function button is activated.

Press	And the Q90D...
F1 - Dial	activates Dial mode allowing you to enter a name or telephone number or scroll through the directory. Pressing F1 again or pressing ESC cancels Dial mode.
F2 - Redial	redials the last number dialed.
F3 - Quick #	dials the number stored in telephone directory space #1. You can use it for the number you dial most frequently, such as your Relay Service.
F4 - VCO Req (Request)	releases a pre-programmed message, VCO CALL PLS GA, to request Relay Service assistance with a VCO call. (Page 11)
F5 - MSG 1	allows you to send one of two programmed messages stored on F5 and F6. (Page 19).
F6 - MSG 2	
F7 - Hi-SPEED	activates Hi-Speed, sending text at twice the normal speed so you can type as fast as you want to for quicker, more economical calls. The Factory setting is OFF. (Page 5)
F8 -Save	saves MSG 1, MSG 2 or a telephone number while in Dial mode. When not in Dial mode, pressing this key saves a conversation during a phone call.
F9 - HCO	turns Hearing Carry Over (HCO) mode ON and OFF (requires an optional amplified speaker). (Page 11).
F10 - Transf (Transfer/hold)	places a call on hold before transferring it to another TTY or when you temporarily leave the Q90D during a conversation (Page 12).
F11 - Flash	activates subscribed telephone company features such as 3-way calling.
F12 - Sticky	activates and deactivates the Sticky Keys mode for single-hand operation. The Factory setting is OFF.
F13 - Menu	enters and exits Menu mode for reviewing and changing Q90D settings. When it exits Menu mode, it returns to normal Q90D TTY operation.

Functions

Secondary Functions

Secondary Functions activate additional features on your Q90D by pressing various combinations of two or three keys at the same time.

Note: In all key combinations, first you hold down the CTRL key (or CTRL and Shift keys), then press another key.

Hold down	Hold down	Press	Function
<p>Secondary Functions Using the CTRL Key and One Function Key The following 15 functions, which use the CTRL key and one of the Function keys, are displayed on the keyboard.</p>			
	CTRL	F1	When ON LINE READY! Is displayed, the Q90D is ON LINE and you are connected to the phone line. Press CTRL and F1 again, the Q90D goes OFF LINE and disconnects from the phone line.
	Ctrl	F2	Wait activates WAITING FOR RESPONSE message on your screen. This is useful when the person you are having a conversation with is temporarily away from their telephone. If activated, when the other party begins typing, the bright RING FLASHER starts flashing.
	Ctrl	F3	Activates the Cell Phone Standby Mode and the CELL FLASH red indicator light flashes to announce an incoming cellular or cordless phone call.
	Ctrl	F4	Turns VCO mode ON or OFF.
	Ctrl	F5	MIC turns ON the Microphone if VCO mode is ON. When the Microphone is ON, a green indicator light in the upper left section of the Q90D is illuminated. Note: Shift + Spacebar also turns the Microphone ON.
	Ctrl	F6	Turns display screen Backlighting ON or OFF. If you are operating the Q90D on batteries only, turning the Backlighting OFF will conserve battery life.
	Ctrl	F7	Prints the conversation memory. This works OFF LINE only. It also prints text messages from the Answering Machine.

Functions

Hold down	Hold down	Press	Function
	Ctrl	F8	Password saves a 10-digit Password which is necessary only if you want to use the Remote Message Retrieval function.
	Ctrl	F9	Turns Interrupt ON and OFF. When using the Q90, only one person can type at a time. When turned ON and you are sending, the Q90D will pause every 20 seconds to allow the other TTY to interrupt your transmission. The Interrupt function lets you ask the other person to stop typing. When turned ON, this key briefly displays INTERRUPT! on the screen and flashes the RING FLASHER to alert the person on the other line to stop typing.
	Ctrl	F10	This function does not apply to Q90D.
	Ctrl	I	PLS HOLD sends the PLS HOLD message. If pressed when OFF LINE, it causes the Q90D to go ON LINE.
	Ctrl	Q	Hello GA sends Hello GA message when answering a telephone call. If pressed when OFF LINE, it causes the Q90D to go ON LINE.
	Ctrl	A	(Smile) sends the (Smile) message. If pressed when OFF LINE, it causes the Q90D to go ON LINE.
	CTRL	Z	..Ha Ha Ha. sends the ..Ha Ha Ha.. message when ON LINE. If pressed when OFF LINE, it causes the Q90D to go ON LINE.
	Ctrl	B	Transmits the entire conversation memory to another TTY. Note: This function takes approximately one hour to execute. Hi-Speed cuts the time in half.

Secondary Functions Using with Both the Shift and CTRL Keys

The following four (4) functions, which use three (3) keys, are listed on the keyboard above the F11, F12, F13, and ESC keys with black lettering on a blue background.

Shift	CTRL	F1	Deletes all directory names and telephone numbers. It operates OFF LINE only.
Shift	CTRL	F11	Resets the Q90D to factory default settings. This key functions OFF LINE only.

Functions

Hold down	Hold down	Press	Function
Shift	CTRL	F13	Erases the conversation memory. It operates OFF LINE only.
Shift	Ctrl	ESC	System reset reboots the Q90D.
Secondary Functions Using Key Combinations That Perform Functions That are Not Marked on the Keyboard			
	Ctrl	Return	Sends a Form Feed command to the Ameriphone Portable Printer to advance the paper. It works ON or OFF LINE.
	Ctrl	Space bar	Causes your Q90D to switch into or out of Hi-Speed transmission or reception.
	Ctrl	Power	Turns OFF the TTY.

Programming

Programming Your Q90D

Your Q90D comes ready to use. However, we suggest you set up three basic features:

1. Phone Directory for memory dialing
2. MSG 1 for user-programmed messages
3. MSG 2 for user-programmed messages

Phone Directory

The Q90D allows you to set up a Phone Directory where you can store frequently used and emergency numbers in memory. It can store up to 24 numbers. Once you store a number in the directory, your Q90D can dial it for you.

Adding Names and Numbers to the Phone Directory

1. Press Power to turn ON the Q90D.
2. Press F1 to enter DIAL mode.
The screen reads, ENTER NAME OR NUMBER OR SELECT DIRECTORY.
3. Type the complete telephone number sequence, (use Spacebar for pauses). If it is a local number with the same area code, there is no need to type the area code. If you type an incorrect number, Backspace and then type the correct number over it and save it. It has the same dialing features as a standard telephone, with a few differences in the keys.
4. Press F8 to enter SAVE mode.
5. Press the Up or Down Arrow keys (next to the Power key) to select the location (1-24) where you wish to store the number.
6. After reaching the location where you want to store the number, press F8 again.

The screen displays EDIT CURRENT NAME/Y/N?

7. Press Y (YES) and type the name that goes with the number.
8. Press Return key when you are finished. It then displays both the name and number you entered.
9. You can enter up to 24 phone numbers. To repeat this process and add more numbers, start at step 2. When finished, hold down CTRL and press Power to turn it OFF. If you want to continue to another Q90D function, simply press the ESC key.

Note: The telephone number stored in Directory 1 is automatically dialed when you press F3. Use this for your most frequently dialed number, such as your call Relay Service.

Saving Numbers with Extensions or Menu Options

1. If you want to save a number that has Menu choices and/or an extension that follows the main number, program it as you would a regular number, except when you come to the end of the main number, press the Spacebar before adding the option or extension. Then continue with the other steps in programming the number. For example, if you wanted to store the number (714) 640-2232, extension 323, you would press 7146402232 Spacebar 323.
2. A number may have more than one Menu option. Simply press the Spacebar before each one. However, when calling a credit card company, you might want to use the Relay Operator (711).

Personalized MSG1 and MSG2

This function allows you to store two separate messages you may want to use as a greeting when making or receiving calls. If you use the prerecorded message during normal conversation, allow it to finish before you begin typing. Otherwise, a transmission in progress will be aborted. MSG 1 and MSG 2 can also be used for greeting messages on the Answering Machine or they can be set to default messages.

1. Press Power to turn on the Q90D.
2. Press F8 to select SAVE mode.
3. Press F5 to select MSG 1 or F6 for MSG 2.
4. Type the message. Use the Backspace key to erase errors. The message can be up to 503 characters long. A message like, "Hi, this is John Jones of ABC Company. How can I help you GA" is useful for anything repetitive.
5. When the message is complete, press Return to save it or press ESC to exit without saving it.

Answering Machine

Your Q90D has a built-in text answering machine which performs the following functions:

1. Answers incoming TTY calls
2. Provides a default or personalized text greeting message
3. Displays a new message count when turned ON
4. Allows password-protected remote message retrieval and/or erasure
5. Works with the Ameriphone Large Visual Display (LVD) and Portable Printer so that

the incoming messages can be screened or printed.

When Your Q90D Becomes a Text Answering Machine

1. Auto Answer function is ON (Page 22)
2. Auto Greet message and Ring Count have been set (Page 22)
3. Password has been created and saved

There is one Password per unit. When there are multiple users for the same Q90D unit, all share the same password. It can be any combination of letters and numbers and can include the following figures: ! # () - + ; : " ' . ? / . The Password does not accept spaces between characters and cannot be longer than ten digits.

- A. Hold down CTRL and press the F8 key.
- B. Type the Password, which may be comprised of 1 to 10 letters and/or digits.
- C. Press Return to save your password or ESC to exit without saving.

Saved Messages

Messages answered by the Answering Machine are assigned an index number in brackets when they are saved to the conversation memory.

```
[1] HELLO THIS IS FRED PLS CALL ME AT  
(714) 531 6009 SK  
[2] THIS IS GRACE. I WILL CALL AGAIN  
LATER. SK
```

Programming

Note: The Message Count is saved in Memory when the Q90D is turned OFF and recalled when the Q90D is turned ON.

Scrolling and Reading the Saved Messages

1. Turn ON the Q90D. If you have any saved messages, it will display the number of the messages in brackets, e.g., [1] or [2], etc.
2. Use the left Arrow key to scroll back to the beginning of the messages and then use the right Arrow key to read the messages.
3. When you are finished reading the messages, press the Spacebar to exit.

Note: All messages are saved in Conversation Memory. Press CTRL, Shift, and F13 to erase the conversation memory.

Remote Message Retrieval

To check your messages from a remote location, follow the steps below.

1. Call your Q90D and wait for the outgoing message to complete.
2. Type “\$\$” in front of your Password. For example, if your Password was “Jason,” you would type “\$\$Jason.”
3. Your incoming messages then play.
4. If you want to save the messages, simply hang up.
5. If you want to erase the messages you just heard, type the \$\$ and your Password again after the messages have played.

Note: Do not operate the Q90D without backup batteries if you want to use the Answering Machine features. If this feature is on without batteries during a power outage,

you will lose your messages.

Menu Options

Your Q90D comes with a variety of Function settings or modes of operation which are preset by the factory. Menu mode is where you change any of the factory-preset modes.

1. To enter or exit Menu mode press F13.
2. When going through these settings, press Backspace to return to a previous Menu.

Following are Function settings or modes of operation:

Dial Mode

Factory setting is [TONE]

This allows you to select the Dialing mode for placing calls on your Q90D, either Tone or Pulse Dialing. Most telephone companies use Tone Dialing.

1. If your home or office is equipped for Tone, leave the factory setting on Tone. If it is equipped for rotary dialing, press the Spacebar to select Pulse.
2. Press ESC to finish or Return to continue to Ringer.

Ringer

Factory setting is [ON]

The Ringer makes an audible ringing sound if it is connected to an optional HCO speaker.

1. Press the Spacebar to turn the Ringer to the ON or OFF position.
2. Press ESC to finish, or press Return to continue to Ring Flasher.

Programming

Flasher

Factory setting is [ON]

The Flasher consists of two lights that flash when the telephone rings. The brightest light (white light which is located on the left), does not operate when the Q90D is powered by batteries.

1. Press the Spacebar to turn the Ring Flasher to the ON or OFF position.
2. Press ESC to finish, or press Return to continue to International (speed).

International (Speed)

Factory setting is [OFF]

In the United States, text messages are sent at the speed described as 45 Baud. Some other countries use 50 Baud. While the Q90D can be set to operate at this International speed, it automatically receives either speed. If you are sending a message to someone in another country and they have problems receiving your message, you may want to try changing the transmission speed of the Q90D as follows:

1. Press Spacebar to turn the International mode ON or OFF.
2. Press ESC to finish, or press Return to continue to Form Feed.

Form Feed

Factory setting is [OFF]

When the Q90D is connected to an Ameriphone Portable Printer, your TTY can be set up to send a signal to let the Printer know when to move to the next page.

1. Press the Spacebar to turn Form Feed ON or OFF.
2. Press ESC to finish, or press Return to continue to Auto Return.

Auto Return

Factory setting is [ON]

Auto Return places carriage returns in the proper locations of the printout so that text moves to a new line each time a different speaker's words are printing. Some printers require this to retain proper formatting. This does not change the way words appear on the display of the Q90D.

1. Press Spacebar to turn Auto Return ON or OFF.
2. Press ESC to finish, or press Return to continue to Repeat Key.

Repeat Key

Factory setting is [ON]

When this function is ON and you hold down a key, the Q90D repeats the key until you release it.

1. Press Spacebar to turn Repeat Key ON or OFF.
2. Press ESC to finish, or press Return to continue to Mixed Case.

Mixed Case

Factory setting is [OFF]

When Mixed Case is ON, the messages you are sending display in lower case text on your screen and the messages you are receiving appear in upper case text. This makes it easier to follow the conversation. When Mixed Case is OFF, all messages are in capital letters.

Programming

1. Press Spacebar to turn Mixed Case ON or OFF.
2. Press ESC to finish, or press Return to continue to Auto ID.

Auto ID

Factory setting is [OFF]

When this is ON, the Q90D automatically sends Baudot tones every five seconds if your call is answered with a voice telephone. These tones notify hearing people and public dispatch facilities (such as 911) that you are calling with a TTY. The SIGNAL light blinks when the Baudot tones are sent. The tones automatically stop when either party starts to type.

1. Press Spacebar to turn Auto ID ON or OFF.
2. Press ESC to finish, or press Return to continue to Auto Answer.

Auto Answer

Factory setting is [OFF]

Auto Answer turns on the Answering Machine feature.

1. Press Spacebar to turn Auto Answer ON or OFF.
2. Press ESC to finish, or press Return to continue to Auto Greeting.

Auto Greet

Factory setting is [Hi pls leave message GA]

Auto Greeting lets you select the answer machine greeting. It can be the factory preset message or one that you create with the MSG1 or MSG2 feature. Auto Greeting only appears on the Menu if Auto Answer is [ON].

1. Press Spacebar to select Greeting Message.
2. Press ESC to finish, or press Return to continue to Rings Before Answer.

Rings Before Answer

Factory setting is 5

Choose the number of times you want your Q90D to ring before it answers a call. Rings Before Answer only appear on the Menu if Auto Answer is [ON].

1. Press Spacebar to select Rings Before Answer.
2. Press ESC or Return to finish.

Troubleshooting

For your convenience, we have listed some common problems that may occur with your Q90D, followed by a list of items that should be checked. If the difficulty persists, contact our Customer Service Department at 800-772-2889 TTY or 800-874-3005 voice.

If...	Then...
Keyboard locks up - Q90D not responding	<ol style="list-style-type: none"> 1. Hold down CTRL, Shift and ESC at the same time for about 2 seconds. 2. Then, if the Q90D still does not respond, disconnect the AC adapter and momentarily remove one battery. This resets the internal microprocessor.
Batteries run down too soon after charging	<p>Batteries may not be charged properly. First, completely drain the batteries by following this procedure.</p> <ol style="list-style-type: none"> 1. Unplug the AC adapter, unplug the telephone line, turn on the Q90D, unplug the telephone, hold down CTRL, then press F1 to place the Q90D on line. 2. Leave the Q90D ON until it automatically turns itself OFF. 3. Next, plug in the AC adapter and the telephone line and let the Q90D charge for 14 hours. If this does not work, your batteries may need to be replaced. Replace them with NiCad AA rechargeable batteries. <p>Note: To avoid losing conversations stored in memory, plug in the AC adapter before removing the batteries.</p>
No dial tone for keyboard dialing	Check to ensure both ends of the telephone cord are firmly plugged in.
Nothing happens after you dial from keyboard	Make sure you press the Return key after dialing the number. Pressing Return completes the dialing sequence.
Nothing happens when Q90D is turned ON	<p>There is no power.</p> <ol style="list-style-type: none"> 1. Check to make sure that both ends of the AC adapter are firmly plugged in. 2. If you are using batteries, make sure that each battery is properly installed and that they are properly charged.
Cannot type the following characters in TTY mode: ", @, %, ^, &, _ , or <.	These characters cannot be typed in Baudot mode.

Caring for Your Q90D

Although your Q90D is built to last and is designed to be maintenance free, it contains sensitive and delicate electronic parts. To protect your investment and ensure the best performance, treat it with care.

1. Avoid dropping your Q90D or subjecting it to any impact.
2. Use a carrying case when traveling.
3. Clean your Q90D plastic case regularly and use only a slightly damp, soft cloth. To remove stains, use mild soap. Never use detergents, excessive water or harsh cleaning agents.
4. Do not allow dust to build up in the gaps around the keys. Clean the keyboard regularly. For best protection, keep the dust cover on when your Q90 is not in use.

Batteries

Rechargeable batteries usually last longer when they are used and recharged regularly. For best results, they should be completely drained and then recharged every six months or so. To drain the batteries:

1. Unplug the AC adapter/charger.
2. Remove the telephone line from the modular telephone jack.
3. Turn on the Q90D and use CTRL + F1 to select the ON LINE condition.
4. Leave the Q90D ON until it automatically turns itself OFF.

WARNING!

Do NOT leave batteries drained of power for more than 1 1/2 hours as your conversation memory will be lost.

The batteries can normally be used and recharged hundreds of times. If they run down quickly soon after charging, they may need to be replaced. Before removing the batteries, be sure to plug in the AC adapter to avoid erasing the conversation memory.

TTY User's Etiquette

Here are some commonly used abbreviations that reduce the need to type long phrases.

1. GA means GO AHEAD. When you finish typing your sentence or message, press the GA key or type GA to show it is the other party's turn to respond. For example, "HI, THIS IS JANE, HOW CAN I HELP YOU Q GA?" When you see GA at the end of an incoming sentence or message, it is your turn to respond.
2. Q is often used instead of a question mark. For example, "HOW ARE YOU Q."
3. SK means STOP KEYING. Press the SK key or type SK when you are ready to end the conversation.
4. Typing GA followed by SK is a polite way to say GOOD BYE and to give the other party a last chance to respond before hanging up. For example, "NICE TALKING WITH YOU GA SK."
5. Type SKSK to show that you are hanging up. For example, "GOODBYE NOW SKSK."

Commonly Used Abbreviations

ASAP	As soon as possible	MSG	Message
ASST	Assistant	MTG	Meeting
BIZ	Business	NBR	Number
CA	Communication assistant	OIC	Oh I see
CD or CLD	Could	OPR	Operator
CUZ	Because	PLS	Please
DR	Doctor	SVC	Service
ED	Education	THKS	Thank you
FIGS	Figures	THRU	Through
HD	Hold	TMW	Tomorrow
ILY	I love you	U	You
IMPT	Important	UR	Your
LTRS	Letters	URS	Yours
		XXX	Disregard an error

Regulatory Compliance

Important Information for Customers

Part 68 of FCC Rules Information

This equipment complies with Part 68 of the FCC rules. On the bottom of this equipment is a label that contains, among other information, the FCC registration number and ringer equivalence number (REN) for this equipment. If requested, this information must be provided to the telephone company.

A plug and jack used to connect this equipment to the premises wiring and telephone network must comply with the applicable FCC Part 68 rules and requirements adopted by the ACTA. A compliant telephone cord and modular plug, RJ11 USOC, is provided with this product. It is designed to be connected to a compatible modular jack that is also compliant. See installation instructions for details.

The Ringer Equivalence Number (REN) is used to determine the number of devices that may be connected to a telephone line. Excessive RENs on a telephone line may result in the devices not ringing in response to an incoming call. In most but not all areas, the sum of RENs should not exceed five (5.0). To be certain of the number of devices that may be connected to a line, as determined by the total RENs, contact the local telephone company. For products approved after July 23, 2001, the REN for this product is part of the product identifier that has the format US:AAAEQ##TXXXX. The digits represented by ## are the REN without a decimal point (e.g., 03 is a REN of 0.3). For earlier products, the REN is separately shown on the label.

If this telephone equipment causes harm to the telephone network, the telephone company will notify you in advance that temporary discontinuance of service may be required. But if advance notice isn't practical, the telephone company will notify the customer as soon as possible. Also, you will be advised of your right to file a complaint with the FCC if you believe it is necessary.

The telephone company may make changes in its facilities, equipment, operations or procedures that could affect the operation of the equipment. If this happens the telephone company will provide advance notice in order for you to make necessary modifications to maintain uninterrupted service.

If trouble is experienced with this telephone equipment, for repair or warranty information, please contact Walker / Ameriphone, 800-772-2889 TTY or 800-874-3005 voice. If the equipment is causing harm to the telephone network, the telephone company may request that you disconnect the equipment until the problem is resolved.

This telephone equipment is not intended to be repaired and it contains no repairable parts. Opening the equipment or any attempt to perform repairs will void the warranty. For service or repairs, call 800-772-2889 TTY or 800-874-3005 voice.

Connection to party line service is subject to state tariffs. Contact the state public utility commission, public service commission or corporation commission for information.

If your home has specially wired alarm equipment connected to the telephone line, ensure the installation of this telephone equipment does not disable your alarm equipment. If you have questions about what will disable alarm equipment, consult your telephone company or a qualified installer.

This telephone equipment is hearing aid compatible.

We recommend the installation of an AC surge arrester in the AC outlet to which this equipment is connected. The telephone companies report that electrical surges, typically lightning transients, are very destructive to customer terminal equipment connected to AC power sources.

Customer-Owned Coin/Credit Card Phones

To comply with state tariffs, the telephone company must be given notification prior to connection. In some states, the state public utility commission, public service commission or corporation commission must give prior approval of connection.

Part 15 of FCC Rules Information

This device complies with Part 15 of the FCC Rules. Operation is subject to the following two conditions:

1. This device may not cause harmful interference, and

2. This device must accept any interference received, including interference that may cause undesired operation.

Your telephone equipment has been tested and found to comply with the limits of a Class B digital device, pursuant to Part 15 of FCC rules. These limits are designed to provide reasonable protection against harmful interference in residential installation.

This equipment generates, uses, and can radiate radio frequency energy and, if not installed and used in accordance with the instructions, may cause harmful interference to radio communications. However, there is no guarantee that interference will not occur in a particular installation; if this equipment does cause harmful interference to radio or television reception, which can be determined by turning the equipment off and on, you are encouraged to try to correct the interference by one of the following measures:

1. Where it can be done safely, reorient the receiving television or radio antenna.
2. To the extent possible, relocate the television, radio or other receiver with respect to the telephone equipment. (This increases the separation between the telephone equipment and the receiver.)
3. Connect the telephone equipment into an outlet on a circuit different from that to which the television, radio, or other receiver is connected.
4. Consult the dealer or an experienced radio/TV technician for help.

Regulatory Compliance

Important Information for Customers (continued)

CAUTION: Changes or modifications not expressly approved by the manufacturer could void the user's authority to operate the equipment.

THE PARTY RESPONSIBLE FOR PRODUCT COMPLIANCE:

Ameriphone Products by Clarity®,
A Division of Plantronics, Inc.
12082 Western Avenue
Garden Grove, CA 92841
Telephone: 800-874-3005

Industry Canada Technical Specifications

This product meets the applicable Industry Canada technical specifications.

Before installing this equipment, users should ensure that it is permissible to be connected to the facilities of the local telecommunications company. The equipment must also be installed using an acceptable method of connection. In some cases, the company's inside wiring associated with a single line individual service may be extended by means of a certified connector assembly (telephone extension cord). The customer should be aware that compliance with the above conditions may not prevent degradation of service in some situations.

Repairs to certified equipment should be made by an authorized Canadian maintenance facility designated by the supplier. Any repairs or alterations made by the user to this equipment, or equipment malfunctions, may give the telecommunications company cause

to request the user to disconnect the equipment.

Users should ensure for their own protection that the electrical ground connections of the power utility, telephone lines and internal metallic water pipe system, if present, are connected together. This precaution may be particularly important in rural areas.

CAUTION: Users should not attempt to make such connections themselves, but should contact the appropriate electric inspection authority, or electrician, as appropriate.

The Ringer Equivalence Number is an indication of the maximum number of terminals allowed to be connected to a telephone interface. The termination on an interface may consist of any combination of devices subject only to the requirement that the sum of the Ringer Equivalence Numbers of all the devices does not exceed five.

[The term "IC:" before the certification/ registration number only signifies that the Industry Canada technical specifications were met.]

Warranty Procedure

This warranty applies only to Ameriphone products that are purchased and used in the United States or Canada.

Ameriphone warrants the Q90D against defects in materials or workmanship for the period of one year from the date of purchase.

If your Ameriphone Q90D is defective and returned within 30 days of the date of purchase, your Ameriphone dealer will replace it at no charge.

If returned after 30 days but within one year from the date of purchase, we will repair or replace it at no charge. In the repair of your Q90D, we may use new or reconditioned replacement parts. If we elect to replace your Q90D, we may replace it with a new or reconditioned product of the same or similar design. Repair or replacement will be warranted for either 90 days or the remaining time on the warranty period, whichever is longer.

Implied warranties, including those of fitness for a particular purpose and merchantability (an unwritten warranty that the product is fit for ordinary use), are limited to one year from the date of purchase. We will not pay for loss of time, inconvenience, loss of use of your Q90D, or any property damage caused by your Q90D or its failure to work, or any other incidental or consequential damages.

Some states do not allow limitations on how long an implied warranty lasts or the exclusion of incidental or consequential damages, so the above exclusions or limitations may not apply to you.

To get warranty service for your Q90D, you must provide proof of the date of purchase date.

Within 30 days of the date of purchase, return your Q90D to the place where you purchased it for immediate replacement. After 30 days, call us at (800) 772-2889 or (800) 874-3005 (voice) for the authorized service center nearest you. You must prepay all shipping costs. We suggest you save the original packing materials in the event you need to ship the Q90D.

When shipping for warranty repair, include your name, address, phone number, proof of date of purchase, and a description of the problem. After repairing the product, we (or the service center) will ship it back to you at no cost within the United States and Canada. **CANADIAN RESIDENTS:** call Ameriphone at (800) 772-2889 or (800) 874-3005 (voice) for instructions. This warranty does not cover defects resulting from accidents, damage while in transit, alterations, unauthorized repair, failure to follow operating instructions, misuse, use outside the United States or Canada, fire, flood, and acts of God. Nor do we warrant the product to be compatible with any particular telephone equipment, party line, key telephone systems or more sophisticated switching systems. If your Q90D is not covered by this warranty, call us at (800) 772-2889 or (800) 874-3005 (voice) for advice as to whether we will repair your Q90D and other repair information. The repair shall be warranted for 90 days.

Product Specifications

Q90D TTY Digital Combination TTY / VCO with Text Answering Machine

Operates on analog telephone lines, cordless phone, or digital cellular phone

Electrical

Adapter

Input 120V AC 60Hz

Output 12V DC 500mA

Jacks 3.5mm audio output

2.5mm cell phone

Battery Specifics

Operating

Number required 6 Batteries

Size AA

Type NiCad Rechargeable

Features and specifications subject to change without notice.

